

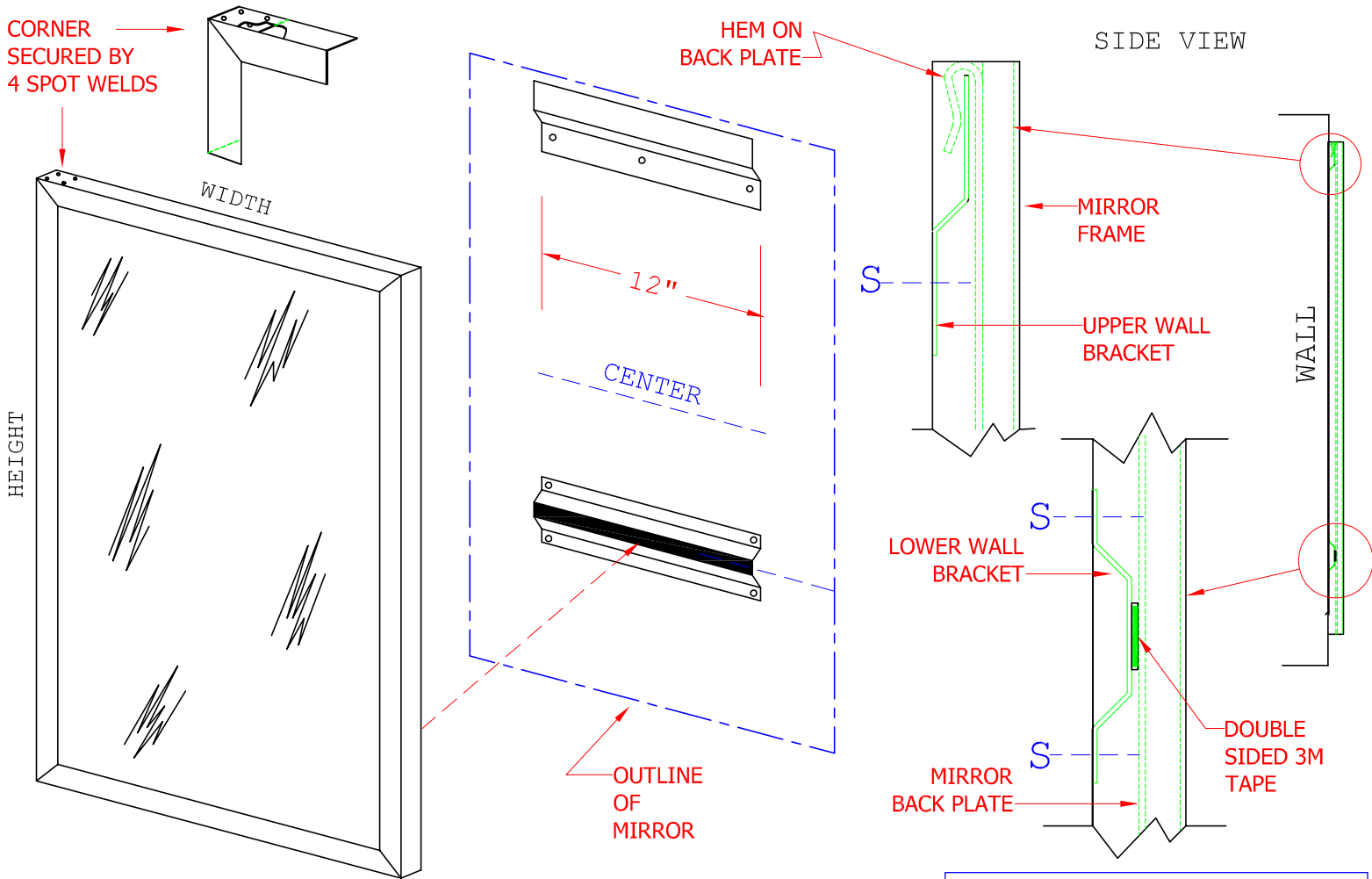


Quality Made In The USA Since 1909

1209 West Lehigh Street • Bethlehem, PA 18018  
 Phone: 610.867.1401 • Fax: 610.866.1433 • Web: www.breykrause.com

TECHNICAL DATA  
 T SERIES-UNIVERSAL FRAME MIRROR

MEETS FED. SPEC. DDM-411, DD-G-451,  
 ANSI 2-97.1-1983 AND  
 CPSC 2-16 CFR



ONE PIECE 18 GA. 5/8 X 5/8 TYPE. 304 SATIN STAINLESS STEEL FRAME WITH TIGHTLY MITERED CORNERS. BACK OF MIRROR IS SEALED AND CUSHIONED BY CONTINUOUSLY APPLIED INDUSTRIAL ADHESIVE AND GALVANIZED SEALED BACK.

MIRROR IS ALSO SECURED AND CUSHIONED TO FRAME BY 3M ADHESIVE STRIPS THAT HELPS PREVENT BREAKAGE. MIRROR IS SECURED TO WALL BY VANDAL RESISTANT MOUNTING SYSTEM.

1/4" FLOAT GLASS MIRROR IS SILVERED AND ELECTROSTATICALLY COPPERED BY GALVANIC PROCESS.

UPPER & LOWER WALL BRACKETS ARE 22 GA. GALVANIZED STEEL W- 7/32" MTG. HOLES.

INSTALLATION INSTRUCTIONS

- MOUNT UPPER BRACKET LEVEL AT DESIRED HEIGHT
- MOUNT LOWER BRACKET (BELOW WHERE MIDDLE OF MIRROR WILL BE WHEN INSTALLED)
- PEEL DOUBLE SIDED TAPE LINER OFF LOWER BRACKET
- PLACE UPPER PORTION OF MIRROR ABOVE WALL BRACKET AGAINST WALL
- CAREFULLY SLIDE MIRROR DOWN TO FULLY ENGAGE HEM WITH UPPER WALL BRACKET
- CAREFULLY PUSH LOWER PORTION OF MIRROR TOWARD WALL TO ATTACH TO INDUSTRIAL ADHESIVE ON LOWER WALL BRACKET

PART #	WIDTH X HEIGHT
T-1016-20-SS	16" X 20"
T-1016-24-SS	16" X 24"
T-1018-24-SS	18" X 24"
T-1018-30-SS	18" X 30"
T-1018-36-SS	18" X 36"
T-1024-30-SS	24" X 30"
T-1024-36-SS	24" X 36"

CONCEALED & EXPOSED SHELVES AVAILABLE. CALL BREY & KRAUSE MFG. CO. FOR SPECIAL MIRROR SIZES.

BREY & KRAUSE MFG. CO. RESERVES THE RIGHT TO CHANGE DESIGN OR DIM. WITHOUT FORMAL NOTICE.